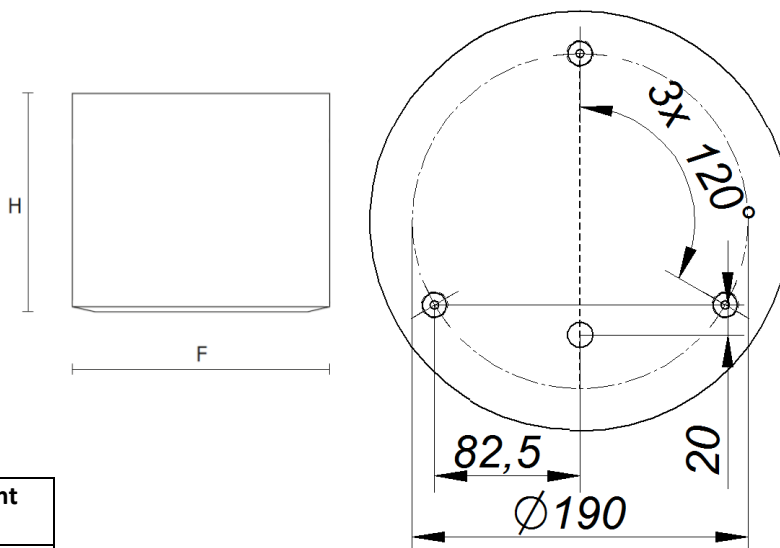


Installation manual



BARI ECO LED DLN IP65



230V/50Hz

1. Dimensions

Power [W]	Diameter F [mm]	Height H [mm]	Weight [kg]
11, 16, 20, 29	245	188	2,5



2. Installation:

- carefully remove the luminaire from the package and place it on a stable surface,
- unscrew the ring with the glass and remove the mounting bracket from the luminaire,
- screw the mounting bracket to the ceiling by the spacing of the holes in the picture above;
- slide the power cable through the gland and connect power cables to the connector by signs;
- slice screws mounted on the mounting bracket and tighten to the ceiling using nuts;
- mount the ring with glass.

3. Important warnings:

The luminaires may be installed by qualified registered personnel only. Any manipulation inside the luminaires when the power is activated causes the risk of electrical shock.

The manufacturer is not responsible for any flaws resulting from non-compliance with these instructions. The manufacturer reserves the right to change the construction of the luminaire. Do not install the luminaire in places without sufficient air circulation. To guarantee safe luminaire functioning, please follow the installation instructions.



The European Directive 2002/96/EC on waste electrical and electronic equipment, requires that electric and electronic devices must not be disposed of in the normal household waste. The crossed out wheeled bin is reproduced in order to remind obligations towards separate collection. For correct disposal, please use authorized waste disposal facilities or return to the distributor at the date a new lighting fitting is purchased. Lamps, if disposed together with the lighting fitting, shall not be broken up since they contain substances which are highly polluting to the environment. Unauthorized disposal of the foregoing waste material is punishable by law.

