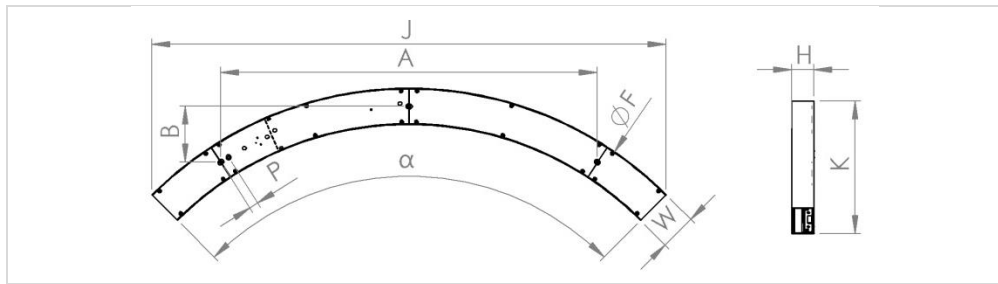


INSTALLATION MANUAL



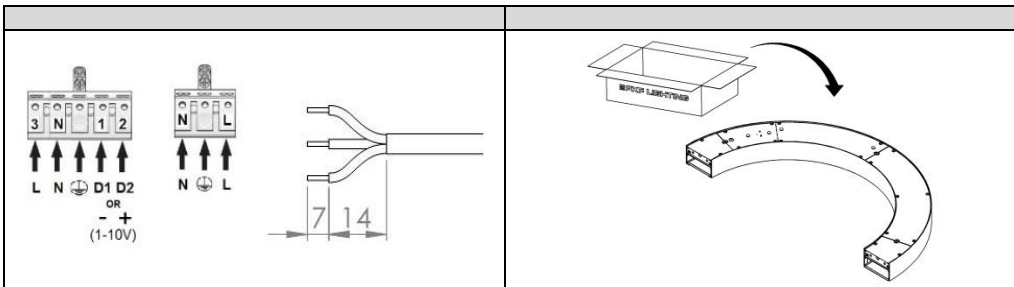
GEOMETRIC ARC LED



220-240V / 50-60Hz

TYPE	Power [W]	F	H	W	α	A	B	J	K	P	Weight [kg]
1/2 Ring 180° 800	45	800	62	100	180	634	202	800	400	20	3,5
1/2 Ring 180° 1200	70	1200	62	100	180	1033	362	1200	600	20	5,1
1/4 Ring 90° 2000	60	2000	62	100	90	1035	153	1414	364	25	4
1/6 Ring 60° 2000	40	2000	62	100	60	587	74	1000	220	25	2,8
1/8 Ring 45° 2000	30	2000	62	100	45	411	50	765	168	20	2,2

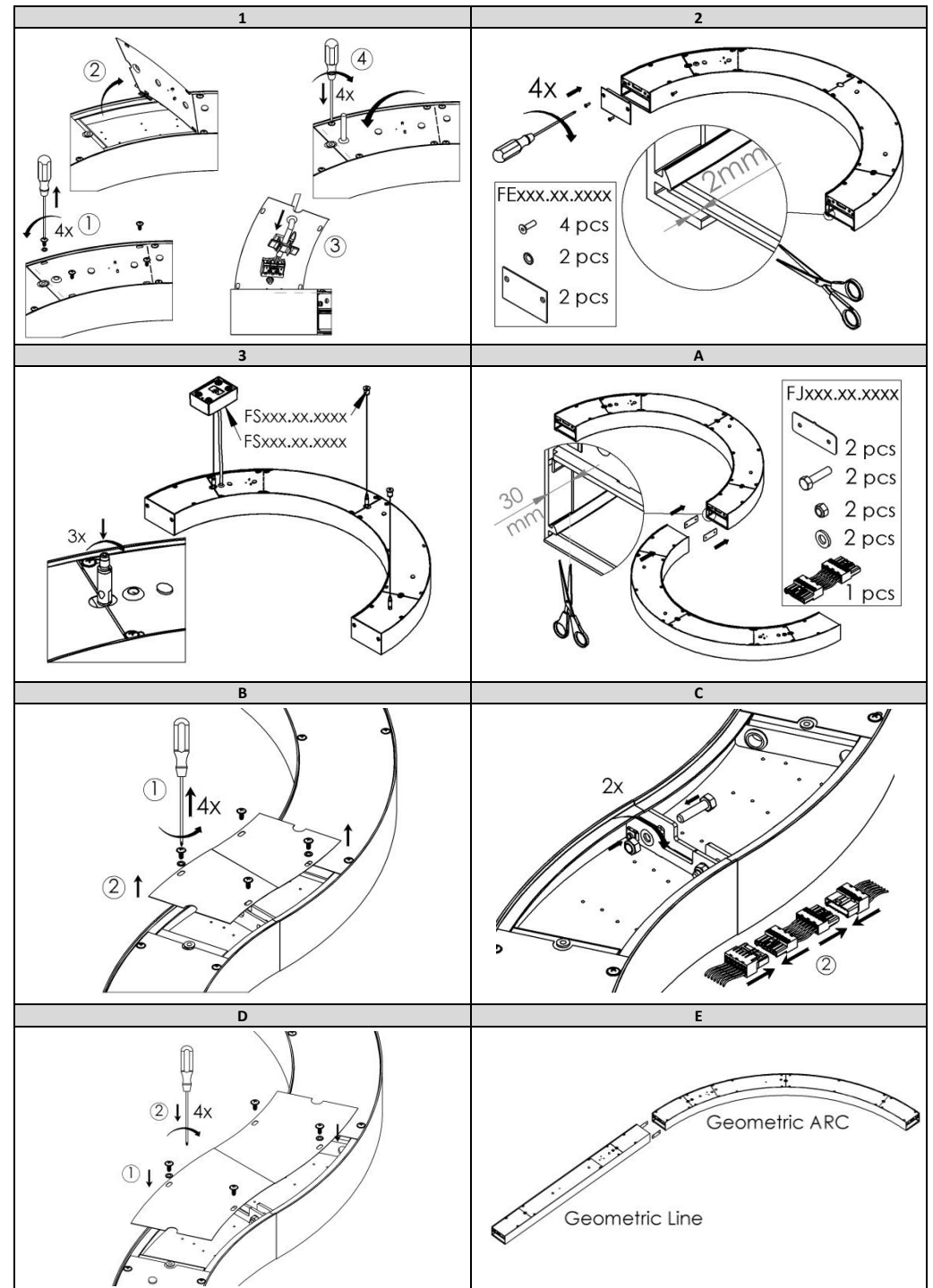
Light source in the fitting cannot be switched or replaced by anyone but manufacturer, his Service representative or similarly qualified personnel.



PLEASE NOTE!
 In case of a continuous installation gap up to 2mm between diffusers may occur. The gap won't be visible after the first warm up of the fixture due to thermal expansion of used materials. Given the above it is advised to keep the light lines no longer than 6m. Failing to do so may cause gaps to occur.
 Minding the above – please note that if the diffuser doesn't have any gap and room to expand before the first power-up – it may fall out.

Important warnings:
 The luminaires may be installed by qualified registered personnel only.
 Any manipulation inside the luminaire when the power is activated causes the risk of electric shock.
 The manufacturer is not responsible for any flaws resulting from non-compliance with these instructions.
 The manufacturer reserves the right to change the construction of the product.
 Do not install the luminaire in places without sufficient air circulation.
 To guarantee safe luminaire functioning, please follow the instructions in the installation instructions.
 PXF Lighting website: www.pxf.pl

The European Directive 2002/96/EC on waste electrical and electronic equipment, requires that electric and electronic devices must be disposed of in the normal household waste. The crossed out wheeled bin is reproduced in order to remind obligations towards separate collection. For correct disposal, please use authorized waste disposal facilities or return to the distributor at the date a new lighting fitting is purchased. Lamps, if disposed together with the lighting fitting, shall not be broken up since they contain substances which are highly polluting to the environment. Unauthorized disposal of the foregoing waste material is punishable by law.



- FExxx.xx.xxxx
 4 pcs
 2 pcs
 2 pcs

- FJxxx.xx.xxxx
 2 pcs
 2 pcs
 2 pcs
 2 pcs
 1 pcs

Geometric ARC

Geometric Line