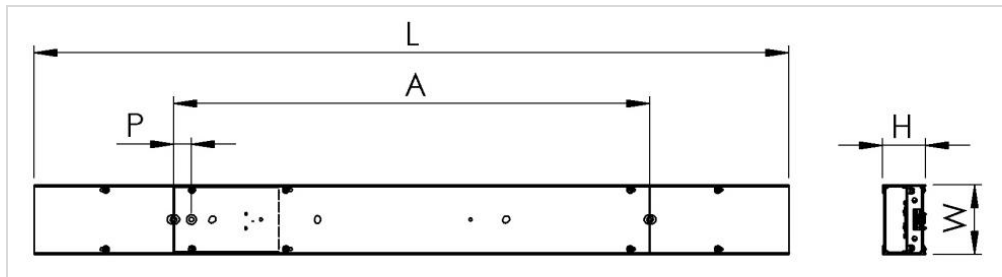




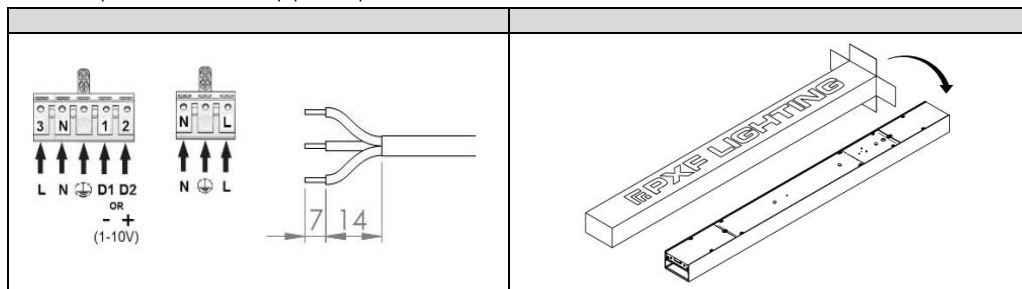
**GEOMETRIC LINE LED**



220-240V / 50-60Hz

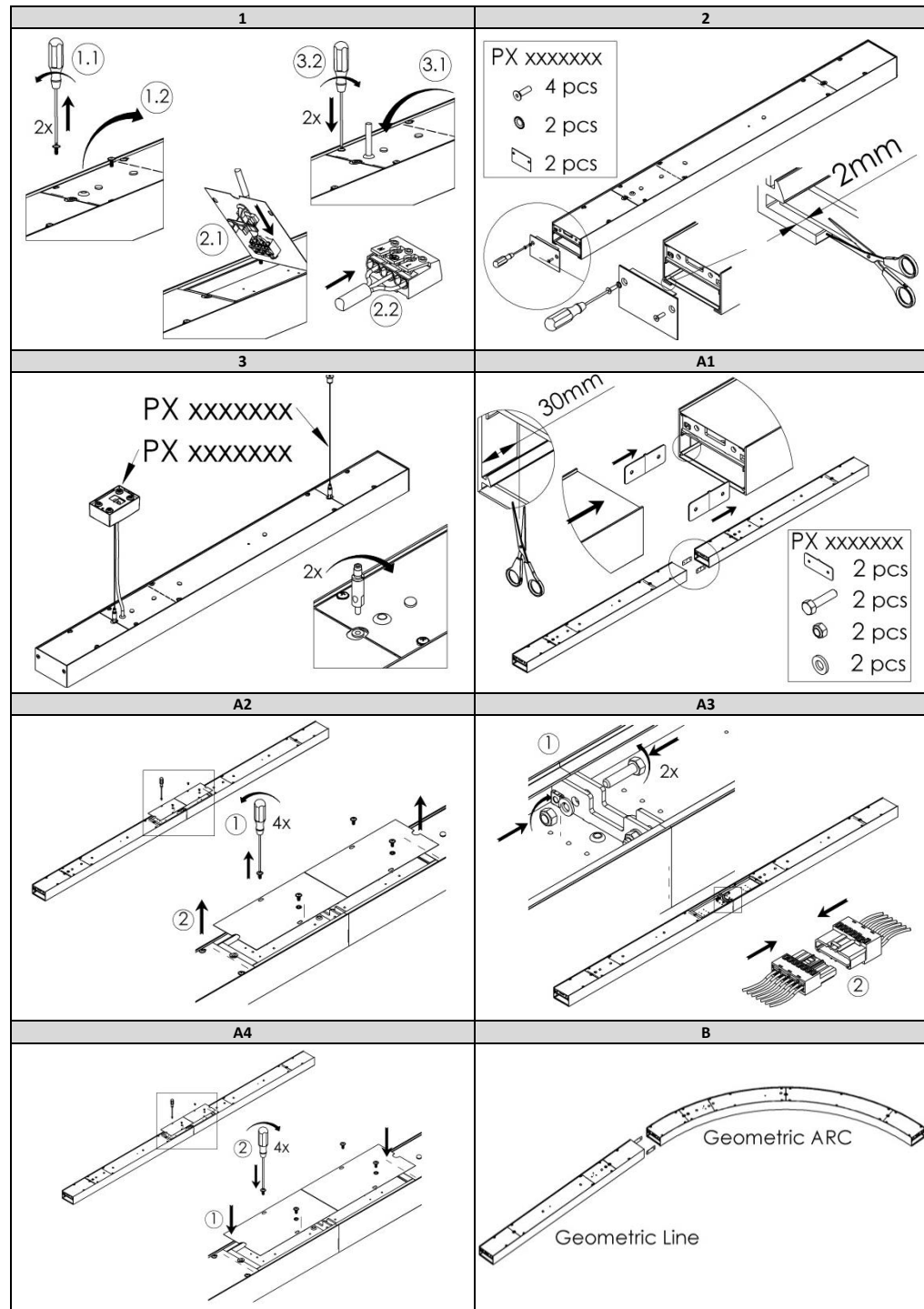
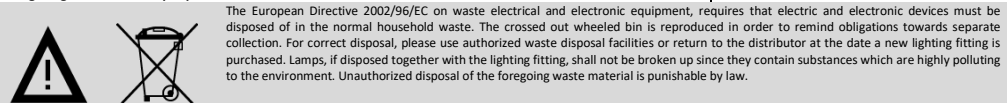
TYPE	Power [W]	L	H	W	W	A	P	Weight [kg]
545	24	545	62	100	100	304	-18	1,9
1085	46	1085	62	100	100	685	25	3,1
1625	68	1625	62	100	100	1225	25	4,4
2170	92	2170	62	100	100	1770	20	5,9

Light source in the fitting cannot be switched or replaced by anyone but manufacturer, his Service representative or similarly qualified personnel.



**PLEASE NOTE!**  
 in case of a continuous installation gap up to 2mm between diffusers may occur. The gap won't be visible after the first warm up of the fixture due to thermal expansion of used materials. Given the above it is advised to keep the light lines no longer than 6m. Failing to do so may cause gaps to occur.  
 Minding the above – please note that if the diffuser doesn't have any gap and room to expand before the first power-up – it may fall out.

**Important warnings:**  
 The luminaires may be installed by qualified registered personnel only.  
 Any manipulation inside the luminaire when the power is activated causes the risk of electric shock.  
 The manufacturer is not responsible for any flaws resulting from non-compliance with these instructions.  
 The manufacturer reserves the right to change the construction of the product.  
 Do not install the luminaire in places without sufficient air circulation.  
 To guarantee safe luminaire functioning, please follow the instructions in the installation instructions.  
 PXF Lighting website: [www.pxf.pl](http://www.pxf.pl)



- PX xxxxxxxx  
 4 pcs  
 2 pcs  
 2 pcs

- PX xxxxxxxx  
 2 pcs  
 2 pcs  
 2 pcs  
 2 pcs

Geometric ARC

Geometric Line