



MODENA

Installation manual

Modena LED

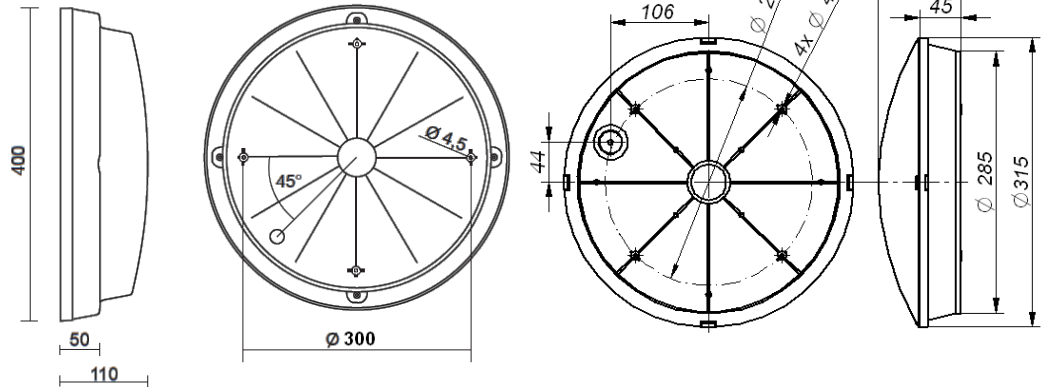
Modena Mini LED



220-240V/50-60Hz LED

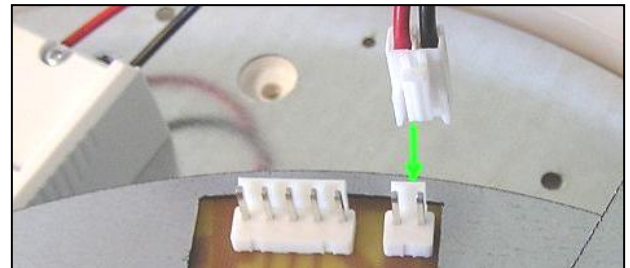
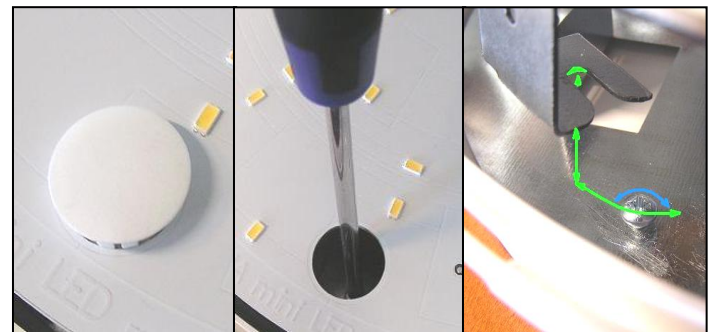
1. Dimensions

Power [W]	Weight
Modena Mini 10	1,0kg
Modena Mini 18; 19	1,3kg
Modena Mini ECO 12	0,8kg
Modena 19	1,8kg
Modena 25	2,0kg



2. Assembly

- carefully take the luminaire out of box and put it on a stable surface (table, floor)
- open the luminaire by pushing **two neighbor** locks of diffuser or by screwing four screw off
- take off the caps hiding screws holding LED blade (not apply to 10W, 12W Modena Mini and 20W Modena)
- loosen the screws and take the plate out (not apply to 10W, 12W Modena Mini and 20W Modena)
- connection of power supply
 - push the gland into the hole in the base of a luminaire
 - pull the feeding cable through the gland
 - connect the wires as shown on a cube
- install the luminaire to the wall on four holes 4,5mm diameter each
- connect the powering connector (not apply to 10W, 12W Modena Mini and 20W Modena)
- put the LED blade back in and close the luminaire with screws or by pushing the diffuser back in.



3. Important warnings:

Do not install the luminaires in areas without an exchange of air. The manufacturer cannot be considered liable for any damages deriving from improper, wrong and unreasonable use of the fitting. Luminaries may be installed by qualified personnel only. Any manipulation inside the luminaire when power supply is on causes the risk of electric shock. Manufacturer is not responsible for any flaws caused by avoid using this manual. Manufacturer reserves a right to change the construction of the product.



The European Directive 2002/96/EC on waste electrical and electronic equipment, requires that electric and electronic devices must be disposed of in the normal household waste. The crossed out wheeled bin is reproduced in order to remember obligations towards separately collection. For correct disposal, please use authorized waste disposal facilities or returned to the distributor at the date a new lighting fitting is purchased. Lamps, if disposed together with the lighting fitting, shall not be broken up since they contain substances which are highly polluting for the environment. Unauthorized disposal of the foregoing waste material is punishable by law.

