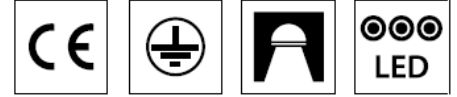
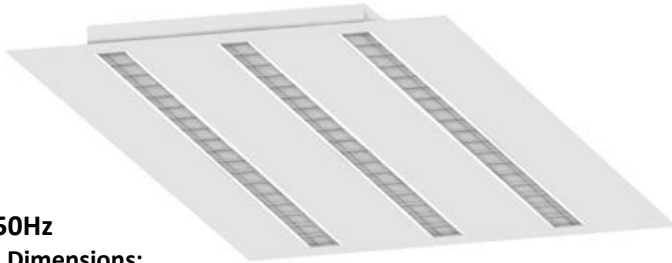


Installation manual

PARABOLIC LED / PARABOLIC LED GK / PARABOLIC LED NT



230V/50Hz

1. Dimensions:

a) PARABOLIC LED

Power [W]	A[mm]	B[mm]	C[mm]	D[mm]	E[mm]	F[mm]	G[mm]	H[mm]	Maximum size of the recess [mm]	Weight[kg]
31, 36, 40, 42	596	596	385	575	198	275	320	41	585x585	5,0
21, 24, 27, 28	596	596	385	575	198	275	320	41	585x585	4,7
21, 24, 27, 28	1196	296	115	1115	198	575	620	41	1185x285	4,7
51, 53	1196	596	385	1115	198	575	620	41	1185x585	9,3

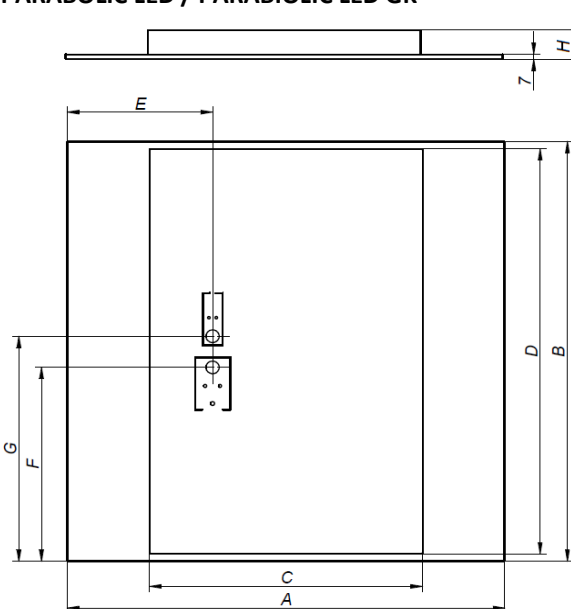
PARABOLIC LED GK

Power [W]	A[mm]	B[mm]	C[mm]	D[mm]	Installation hole [mm]	H[mm]	Weight[kg]
31, 36, 40, 42	596	596	570	570	575x575	60	6,4
21, 24, 27, 28	596	596	570	570	575x575	60	6,1
21, 24, 27, 28	1196	296	1170	270	1175x275	60	5,5

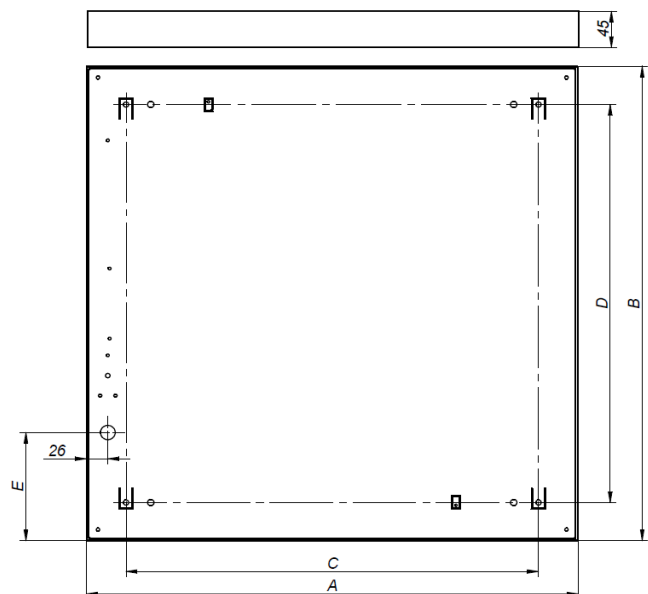
b) PARABOLIC LED NT

Power[W]	A[mm]	B[mm]	C[mm]	D[mm]	E[mm]	Weight[kg]
31, 36, 40, 42	596	596	500	500	135	6,5
21, 24, 27, 28	596	596	500	500	135	6,2
21, 24, 27, 28	1196	296	200	1000	135	6,2

PARABOLIC LED / PARABOLIC LED GK



PARABOLIC LED NT



2. Installation:

- a) Turn off the power in an electrical circuit which will be connected to the luminaire.
- b) Remove the frame (only NT version).
- c) Carry out the power cable and attach luminaire by four screws as in Fig.1. (only NT version).
 The diameter of the mounting holes is 6.5 mm.
- d) Prepare the power cables according to the markings on the terminals as in Fig. 2.
- e) Fold the flap the supply and place the power cable through the hole in the packing as in Fig.3. (not for NT version)
- f) Install luminaire into the ceiling (PARABOLIC LED, PARABOLIC LED GK) as in Fig.4
- g) Install the suspension kit (in the case of the suspended version) Fig.5. The suspension kit is an accessory.

Fig.1.

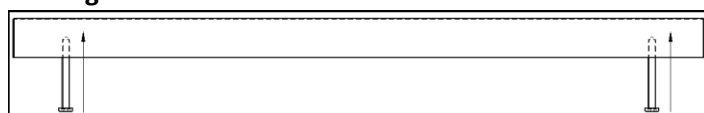


Fig.2.

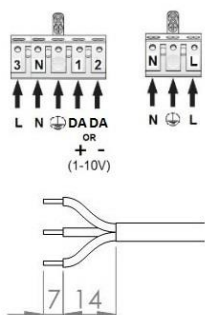


Fig.3.

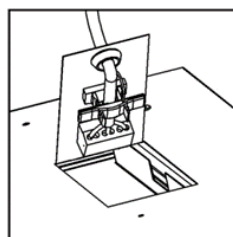


Fig.4.

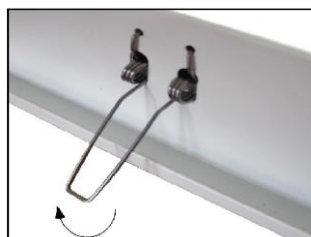
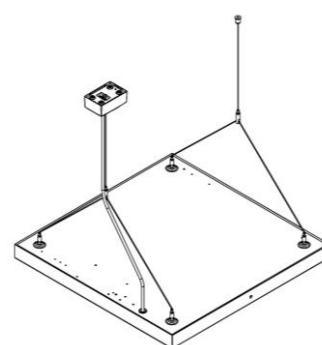


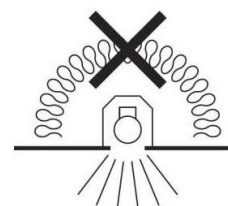
Fig.5.



The light source of this luminaire is not replaceable; when the light source reaches its end of life the whole luminaire shall be replaced.

The manufacturer does not provide: screws, wall plugs.

Lighting fixtures not suitable for covering with thermal insulation material.



Classification of insulation maintained between LV power supply and control cables - basic insulation.
 Provide basic insulation between the LV power supply and control cables.

3. Important warnings:

The manufacturer cannot be considered liable for any damages deriving from improper, wrong and unreasonable use of the fitting.

Luminaires may be installed by qualified personnel only.

Any manipulation inside the luminaire when power supply is on causes the risk of electric shock.

Manufacturer is not responsible for any flaws caused by avoid using this manual.

Manufacturer reserves a right to change the construction of the product.

Do not assembly in places without air circulation.

To guarantee safety of luminaire functions, please assembly according to instruction.



The European Directive 2002/96/EC on waste electrical and electronic equipment, requires that electric and electronic devices must be disposed of in the normal household waste. The crossed out wheeled bin is reproduced in order to remember obligations towards separately collection. For correct disposal, please use authorized waste disposal facilities or returned to the distributor at the date a new lighting fitting is purchased. Lamps, if disposed together with the lighting fitting, shall not be broken up since they contain substances which are highly polluting for the environment. Unauthorized disposal of the foregoing waste material is punishable by law.