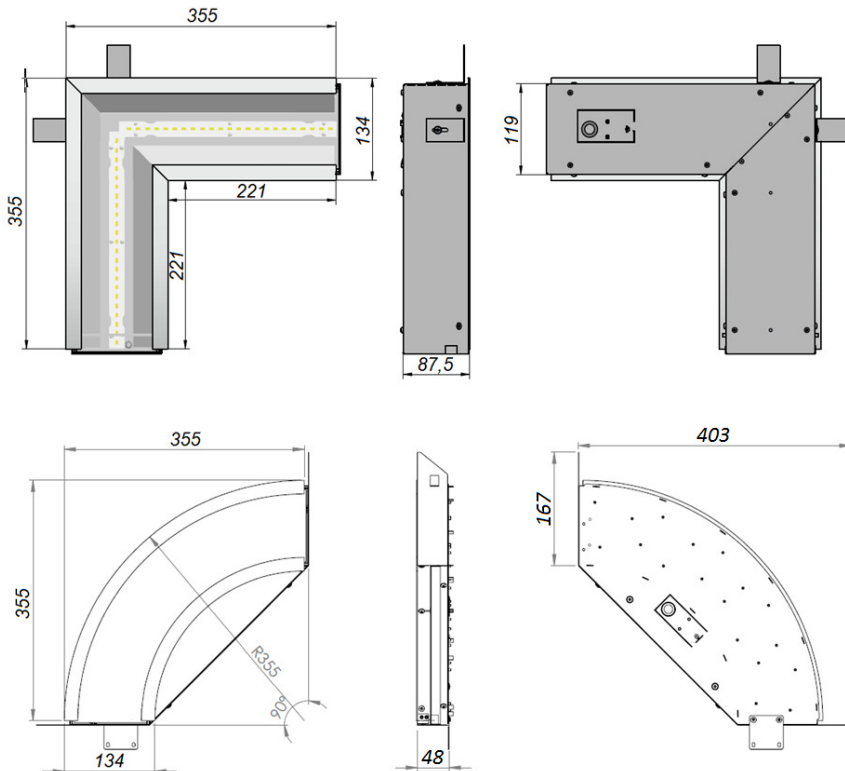


Installation manual
SIMPLE LED CORNER
SIMPLE LED ARC



220-240V/50-60Hz
LED

Model	Power [W]	Weight [kg]
Corner	17	2,5
Arc	14	1,5



Installation:

- Turn the power in the circuit off;
- Open the power supply flap and put the power cable through the hole with the cable fitting as in the (fig. 1);
- Connect the power supply accordingly to markings on the power connector (Fig.2);
- Install the luminaire in the ceiling along with a fill in panel part.
- Adjust the height of the mounting brackets (applicable to corner luminaire).

Light source used in this luminaire should be changed by the producer or its service representative or similarly qualified person.

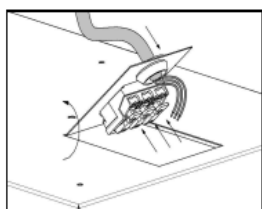


Fig.1

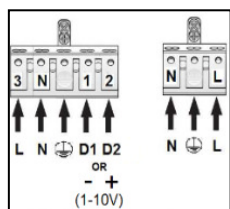


Fig.2



3. Important warnings:

- Luminaires may be installed by qualified and registered personnel only.
- Any manipulation inside the luminaires when the power is activated causes the risk of electrical shock
- The manufacturer is not responsible for any flaws resulting from non-compliance with these instructions
- The manufacturer reserves the right to change the construction of the luminaire
- Do not install the luminaire in places without sufficient air circulation
- To guarantee safe luminaire functioning, please follow the installation instructions



The European Directive from 29.07.2005 on waste electrical and electronic equipment, requires that electric and electronic devices must not be disposed of in the normal household waste. The crossed out wheeled bin is reproduced in order to remind obligations towards separate collection. For correct disposal, please use authorized waste disposal facilities or return to the distributor at the date a new lighting fitting is purchased. Lamps, if disposed together with the lighting fitting, shall not be broken up since they contain substances which are highly polluting to the environment. Unauthorized disposal of the foregoing waste material is punishable by law.

