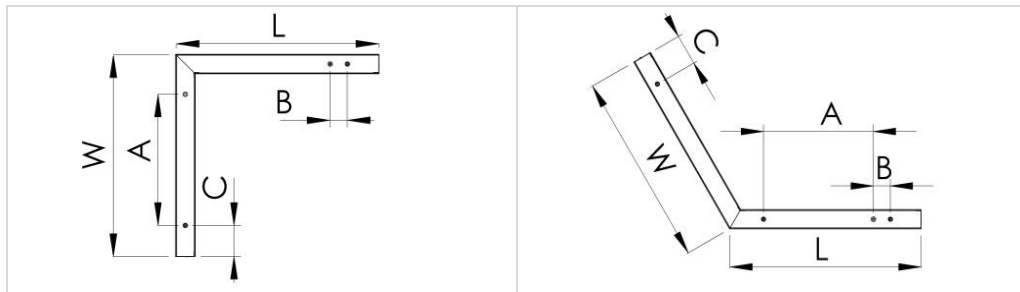
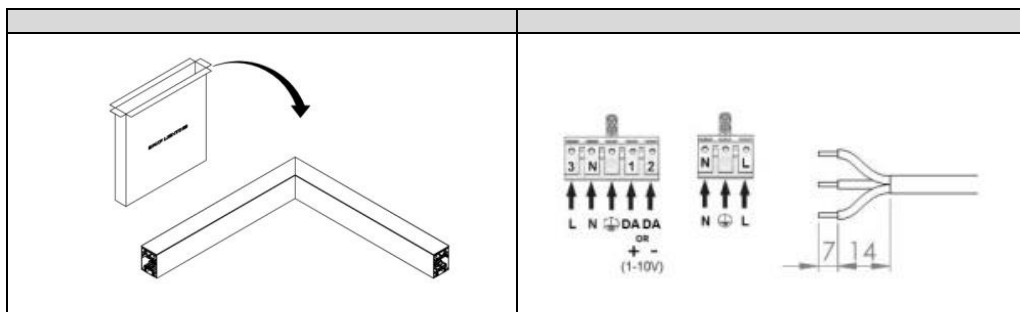




**SIGMA II CORNER LED**

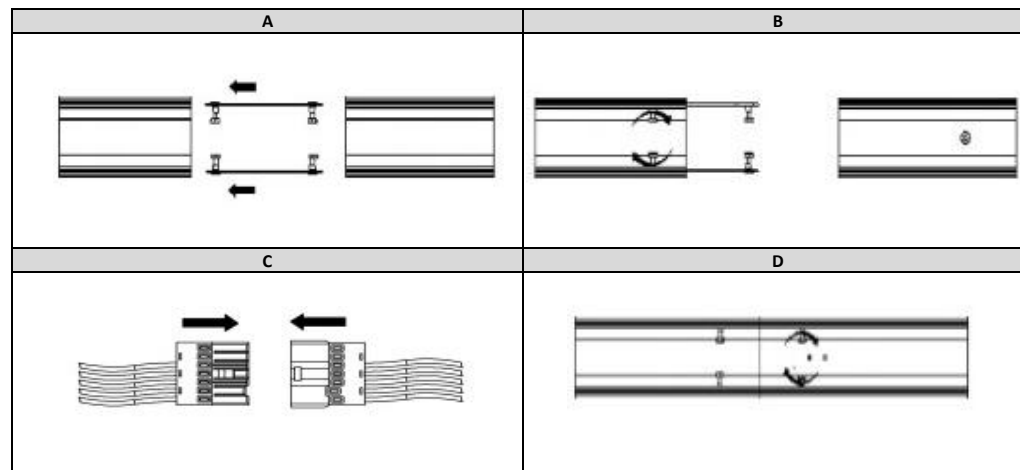
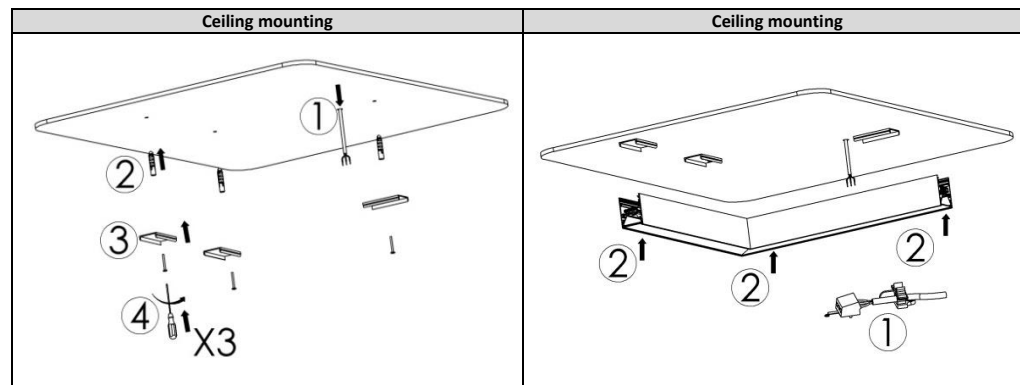
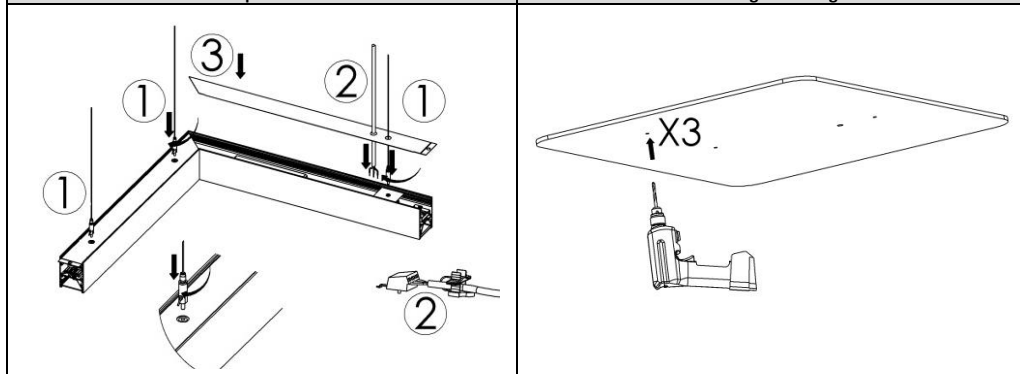


Power [W]/°	L [mm]	W [mm]	H [mm]	A/B [mm]	C [mm]	Weight [kg]
25/90	587	587	75	380/50	90	2,3
25/120	567	567	75	325/50	90	2,3



**Suspended**

**Ceiling mounting**



Light source used in this luminaire should be changed by the producer or its service representative or similarly qualified person. Installation kit supplied with the luminaire does not include anchors for ceiling installation.

**Important warnings:**

The luminaires may be installed by qualified registered personnel only. Any manipulation inside the luminaires when the power is activated causes the risk of electrical shock. The manufacturer is not responsible for any flaws resulting from non-compliance with these instructions. The manufacturer reserves the right to change the construction of the luminaire. Do not install the luminaire in places without sufficient air circulation. To guarantee safe luminaire functioning, please follow the installation instructions.



The European Directive 2002/96/EC on waste electrical and electronic equipment, requires that electric and electronic devices must be disposed of in the normal household waste. The crossed out wheeled bin is reproduced in order to remember obligations towards separately collection. For correct disposal, please use authorized waste disposal facilities or returned to the distributor at the date a new lighting fitting is purchased. Lamps, if disposed together with the lighting fitting, shall not be broken up since they contain substances which are highly polluting for the environment. Unauthorized disposal of the foregoing waste material is punishable by law.