



Bari DL LED



Modern and universal downlight luminaire of high lighting performance, based on LED module. Application: offices, hotels, restaurants, halls, shopping malls.

Materials: Powder painted, white aluminum body; polished and faceted aluminium reflector with a mirror finish

Installation: Into plaster cardboard and modular ceilings

Power: 230 V

ELECTRICAL DATA

Light source	LED
Number of light sources	1
Voltage rating	220 ... 240 V
Light source included	Yes

MECHANICAL DATA

Type of installation	Recessed
Housing material	Die cast aluminum

INFORMATION

Colour	White
Operating temperature range	0 ... 35 °C

CERTIFICATES

Class of protection	I
Energy class	A++
CE	Yes
EAC	Yes

LIGHT DATA

Light colour	White
Color rendering index	84
Light distribution	DI
Class of luminaire	I
Light output degradation	B10
Lumen maintenance	L90
Lifetime	> 60000 h
MacAdam	SDCM 3
Lamp Lumen Maintenance Factor (after 60 000h)	91 %

OPTICAL DATA

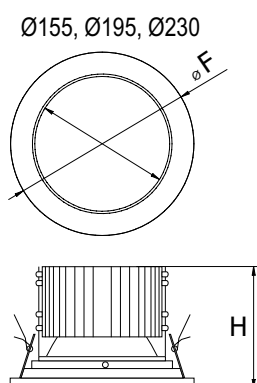
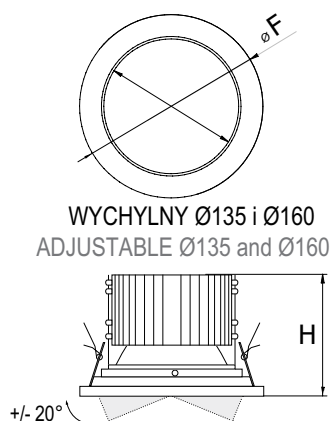
Diffuser material	Transparent glass
Reflector	High gloss

AVAILABLE VARIANTS

Product code	Luminaire power [W]	Luminaire luminous flux [lm]	Luminaire's luminous efficacy [lm/W]	Beam angle [°]	Colour temperature	Info	Degree of protection (IP)	Weight [kg]
PX4089401	15	1610	107	55	3000K	Adjustable	IP20	1.00
PX4089429	15	1660	111	55	4000K	Adjustable	IP20	1.00
PX4089408	21	2220	106	55	3000K	Adjustable	IP20	1.00
PX4089436	21	2290	109	55	4000K	Adjustable	IP20	1.00
PX4089415	15	1530	102	45	3000K	Adjustable	IP20	1.20
PX4089443	15	1580	105	45	4000K	Adjustable	IP20	1.20
PX4089422	21	2110	100	45	3000K	Adjustable	IP20	1.20
PX4089450	21	2180	104	45	4000K	Adjustable	IP20	1.20

AVAILABE VARIANTS

Product code	Luminaire power [W]	Luminaire luminous flux [lm]	Luminaire's luminous efficacy [lm/W]	Beam angle [°]	Colour temperature	Info	Degree of protection (IP)	Weight [kg]
PX4089457	15	1670	111	45	3000K	-	IP44	1.00
PX4089471	15	1720	115	45	4000K	-	IP44	1.00
PX4089464	21	2300	110	45	3000K	-	IP44	1.00
PX4089478	21	2370	113	45	4000K	-	IP44	1.00
PX4089485	15	1710	114	55	3000K	-	IP44	1.20
PX4089506	15	1760	117	55	4000K	-	IP44	1.20
PX4089492	21	2360	112	55	3000K	-	IP44	1.20
PX4089513	21	2430	116	55	4000K	-	IP44	1.20
PX4089499	29	3170	109	55	3000K	-	IP44	1.20
PX4089520	29	3260	112	55	4000K	-	IP44	1.20
PX4089527	15	1690	113	50	3000K	-	IP44	1.80
PX4089548	15	1740	116	50	4000K	-	IP44	1.80
PX4089534	21	2330	111	50	3000K	-	IP44	1.80
PX4089555	21	2400	114	50	4000K	-	IP44	1.80
PX4089541	29	3130	108	50	3000K	-	IP44	1.80
PX4089562	29	3220	111	50	4000K	-	IP44	1.80



DIMENSIONS

Product code	H [mm]	F [mm]	G [mm]	D [mm]	E [mm]
PX4089401	110	135	79	118	120
PX4089429	110	135	79	118	120
PX4089408	110	135	79	118	120
PX4089436	110	135	79	118	120
PX4089415	120	160	95	144	130
PX4089443	120	160	95	144	130
PX4089422	120	160	95	144	130
PX4089450	120	160	95	144	130
PX4089457	105	155	113	105	115
PX4089471	105	155	113	105	115
PX4089464	105	155	113	105	115
PX4089478	105	155	113	105	115
PX4089485	110	195	150	175	120
PX4089506	110	195	150	175	120
PX4089492	110	195	150	175	120
PX4089513	110	195	150	175	120
PX4089499	110	195	150	175	120
PX4089520	110	195	150	175	120
PX4089527	110	230	185	212	120
PX4089548	110	230	185	212	120
PX4089534	110	230	185	212	120
PX4089555	110	230	185	212	120
PX4089541	110	230	185	212	120
PX4089562	110	230	185	212	120

H = Height / Depth | F = Outer diameter | G = Inner diameter | D = Installation width | E = Installation depth