



Imola LED



Luminaire with powerful LED light sources of well know producers. Application: for offices, corridors and open spaces.

Materials: Body made of powder painted steel sheet. Direct light distribution: microprismatic diffuser MPRM or parabolic louver PAR (white or metallised). Indirect light distribution: structural OPAL diffusers.

Installation: Into modular ceiling 600x600 with a visible supported structure.

Power: 230V

ELECTRICAL DATA

Light source	LED
Type of equipment	AC
Voltage rating	220 ... 240 V
Light source included	Yes
Power factor	0.96

MECHANICAL DATA

Type of installation	For 600x600 ceiling
Housing material	Steel sheet

INFORMATION

Colour	White
--------	-------

CERTIFICATES

Degree of protection (IP)	IP20
Degree of protection (IP) / top/	IP20
Class of protection	I
Light source protection	Yes
Energy class	A+
CE	Yes
EAC	Yes
Power Flicker	= < 3%

LIGHT DATA

Light colour	White
Color rendering index	80
Light distribution	DI/IN
Class of luminaire	I
Light output degradation	B10
Lumen maintenance	L80
Lifetime	> 72000 h
MacAdam	SDCM 3
Lamp Lumen Maintenance Factor (after 60 000h)	85 %

OPTICAL DATA

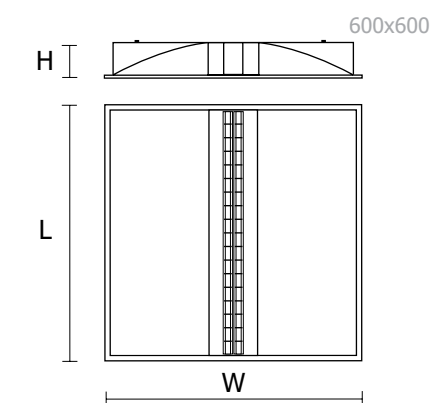
Diffuser material	Opal platic
-------------------	-------------

AVAILABE VARIANTS

Product code	Luminaire power [W]	Louver/shutter	Luminaire luminous flux [lm]	Luminaire's luminous efficacy [lm/W]	Colour temperature	Info	Weight [kg]
PX1310115	36	PAR	3930	109	3000K	600x600 PAR-white	4.00
PX1310122	36	PAR	4050	113	4000K	600x600 PAR-white	4.00
PX1310129	36	PAR	3820	106	3000K	600x600 PAR metallised	4.00
PX1310136	36	PAR	3940	109	4000K	600x600 PAR-metallised	4.00
PX1310143	40	MPRM	4220	106	3000K	600x600 MPRM	4.00

AVAILABLE VARIANTS

Product code	Luminaire power [W]	Louver/shutter	Luminaire luminous flux [lm]	Luminaire's luminous efficacy [lm/W]	Colour temperature	Info	Weight [kg]
PX1310150	40	MPRM	4350	109	4000K	600x600 MPRM	4.00
PX1310201	39	PAR	4100	105	3000K	300x1200 PAR-white	5.50
PX1310202	39	PAR	4230	108	4000K	300x1200 PAR-white	5.50
PX1310203	39	PAR	3980	102	3000K	300x1200 PAR metallised	5.50
PX1310204	39	PAR	4100	105	4000K	300x1200 PAR-metallised	5.50
PX1310205	44	MPRM	4550	103	3000K	300x1200 MPRM	5.50
PX1310206	44	MPRM	4700	107	4000K	300x1200 MPRM	5.50



DIMENSIONS

Product code	L [mm]	W [mm]	H [mm]
PX1310115	595	595	73
PX1310122	595	595	73
PX1310129	595	595	73
PX1310136	595	595	73
PX1310143	595	595	73
PX1310150	595	595	73
PX1310201	1195	295	66
PX1310202	1195	295	66
PX1310203	1195	295	66
PX1310204	1195	295	66
PX1310205	1195	295	66
PX1310206	1195	295	66

L = Length | W = Width | H = Height / Depth

