



Modena Mini LED



Modern plafond Modena Mini is an extension of Modena family of luminaires. Highly aesthetic and characteristic for great parameters: resistance to external conditions and UV rays with IP54 degree of protection. Available with AW 3H emergency module. Possibility of application of motion sensor (only in 17W versions) or day light sensor.

Materials: White version: base and diffuser made of white polycarbonate PC with UV stabilization which protects the luminaire against yellowing. Grey version: grey base, OPAL diffuser made of polycarbonate with UV stabilization which protects the luminaire against yellowing.

Installation: Surface mounted, wall mounted.

Power: 230V

ELECTRICAL DATA

Light source	LED
Number of light sources	1
Type of equipment	AC
Voltage rating	220 ... 240 V
Light source included	Yes
Power factor	0.96

MECHANICAL DATA

Type of installation	Surface mounted
Housing material	Polycarbonate

INFORMATION

Operating temperature range	-20 ... 40 °C
Rotated model	No

CERTIFICATES

Degree of protection (IP)	IP54
Degree of protection (IP) / top/	IP54
Impact resistance	IK10
Class of protection	I
Light source protection	Yes
Energy class	A+
CE	Yes
EAC	Yes

LIGHT DATA

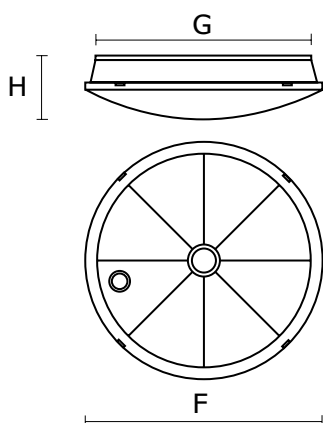
Light colour	White
Color rendering index	84
Light distribution	Wide beam
Light distribution	DI
Class of luminaire	I
Light output degradation	B10
Lumen maintenance	L80
Lifetime	> 72000 h
MacAdam	SDCM 3
Lamp Lumen Maintenance Factor (after 60 000h)	85 %

OPTICAL DATA

Louver/ shutter	OPAL
Diffuser colour	White
Diffuser material	Opal/mat plastic

AVAILABE VARIANTS

Product code	Luminaire power [W]	Luminaire luminous flux [lm]	Luminaire's luminous efficacy [lm/W]	Colour temperature	Colour	Info	Weight [kg]
PX3004060 EA001.1111.830.A000	10	1100	110	3000K	White	-	1.00
PX3004063 EA001.1111.840.A000	10	1120	112	4000K	White	-	1.00
PX3005160 EA001.2211.830.A000	10	1100	110	3000K	Grey	-	1.00
PX3005163 EA001.2211.840.A000	10	1120	112	4000K	Grey	-	1.00
PX3004064 EA002.1111.830.A000	17	2140	126	3000K	White	-	1.30
PX3004071 EA002.1111.840.A000	17	2180	128	4000K	White	-	1.30
PX3004078 EA002.1111.830.A200	17	2140	126	3000K	White	Emergency module 3h	2.00
PX3004085 EA002.1111.840.A200	17	2180	128	4000K	White	Emergency module 3h	2.00
PX3005164 EA002.2211.830.A000	17	2140	126	3000K	Grey	-	1.30
PX3005171 EA002.2211.840.A000	17	2180	128	4000K	Grey	-	1.30
PX3005178 EA002.2211.830.A200	17	2140	126	3000K	Grey	Emergency module 3h	2.00
PX3005185 EA002.2211.840.A200	17	2180	128	4000K	Grey	Emergency module 3h	2.00
PX3004101 EA001.1111.830.A001	10	1100	110	3000K	White	Motion sensor	1.00
PX3004108 EA001.1111.840.A001	10	1120	112	4000K	White	Motion sensor	1.00
PX3004115 EA002.1111.830.A001	17	2140	126	3000K	White	Motion sensor	1.30
PX3004122 EA002.1111.840.A001	17	2180	128	4000K	White	Motion sensor	1.30



DIMENSIONS

H [mm]	F [mm]
90	315

H = Height / Depth | F = Outer diameter