

Sigma II Kinkiet DI-IN LED (BRACKET)



Wall bracket designed to SIGMA lighting system. Possibility of mounting separately or for inline installation. It's an elegant and efficient luminaire for lighting offices, conference rooms, receptions, etc.

Materials: Electrostatically painted aluminum profile (standard color: grey), OPAL diffusers made of polycarbonate.

Installation: wall mounted

Accessories: End caps, invisible linear joint

Power: 230V

ELECTRICAL DATA

Light source	LED
Number of light sources	1
Type of equipment	AC
Voltage rating	220 ... 240 V
Light source included	Yes

MECHANICAL DATA

Type of installation	Wall mounted
Housing material	Aluminum

INFORMATION

Colour	Grey
Operating temperature range	0 ... 40 °C
Rotated model	No

CERTIFICATES

Degree of protection (IP)	IP20
Class of protection	I
Energy class	A+
CE	Yes
EAC	Yes

LIGHT DATA

Light colour	White
Color rendering index	84
Light distribution	DI/IN
Class of luminaire	II
Light output degradation	B10
Lumen maintenance	L80
Lifetime	> 72000 h
MacAdam	SDCM 3
Lamp Lumen Maintenance Factor (after 60 000h)	85 %

OPTICAL DATA

Louver/ shutter	OPAL
Diffuser material	Opal/mat plastic
Reflector	High gloss

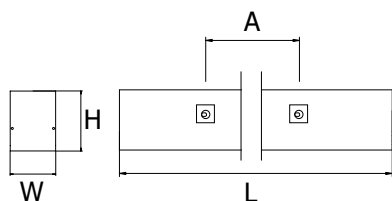
AVAILABLE VARIANTS

Product code	Luminaire power [W]	Luminaire luminous flux [lm]	Luminaire's luminous efficacy [lm/W]	Colour temperature	Info	Weight [kg]
PX4040765 AT001.2211.830.A000	25	2320	93	3000K	DI-1140lm / IN-1180lm	1.50
PX4040769 AT001.2211.840.A000	25	2390	96	4000K	DI-1170lm / IN-1220lm	1.50
PX4040773 AT002.2211.830.A000	48	4640	97	3000K	DI-2270lm / IN-2370lm	2.65

AVAILABLE VARIANTS

Product code	Luminaire power [W]	Luminaire luminous flux [lm]	Luminaire's luminous efficacy [lm/W]	Colour temperature	Info	Weight [kg]
PX4040777 AT002.2211.840.A000	48	4780	100	4000K	DI-2340lm / IN-2440lm	2.65
PX4040781 AT003.2211.830.A000	68	6960	102	3000K	DI-3410lm / IN-3550lm	3.70
PX4040785 AT003.2211.840.A000	68	7170	105	4000K	DI-3510lm / IN-3660lm	3.70
PX4040789 AT004.2211.830.A000	90	9280	103	3000K	DI-4550lm / IN-4730lm	5.35
PX4040793 AT004.2211.840.A000	90	9560	106	4000K	DI-4680lm / IN-4880lm	5.35

DIMENSIONS



Product code	L [mm]	W [mm]	H [mm]
PX4040765 AT001.2211.830.A000	545	60	75
PX4040769 AT001.2211.840.A000	545	60	75
PX4040773 AT002.2211.830.A000	1085	60	75
PX4040777 AT002.2211.840.A000	1085	60	75
PX4040781 AT003.2211.830.A000	1625	60	75
PX4040785 AT003.2211.840.A000	1625	60	75
PX4040789 AT004.2211.830.A000	2165	60	75
PX4040793 AT004.2211.840.A000	2165	60	75

L = Length | W = Width | H = Height / Depth

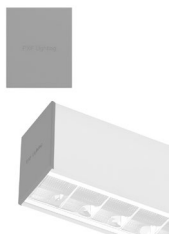
MOUNTING HOLES

Product code	A [mm]
PX4040765 AT001.2211.830.A000	425
PX4040769 AT001.2211.840.A000	425
PX4040773 AT002.2211.830.A000	850
PX4040777 AT002.2211.840.A000	850
PX4040781 AT003.2211.830.A000	1275
PX4040785 AT003.2211.840.A000	1275
PX4040789 AT004.2211.830.A000	1700
PX4040793 AT004.2211.840.A000	1700

A = Spacing length

ACCESSORIES

Structural element



Sigma II End cap PC
Pieces in set: 1

PX4040360 FE003.11.0000	with logo PXF Lighting	White
PX4040366 FE003.22.0000	with logo PXF Lighting	Grey
PX4040368 FE003.33.0000	with logo PXF Lighting	Black
PX4040372 FE004.11.0000		White
PX4040378 FE004.22.0000		Grey
PX4040380 FE004.33.0000		Black



End cap
Pieces in set: 1

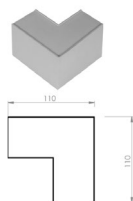
PX4040311 FE002.22.0002		Grey
PX4040310 FE002.33.0002	Black oxidized screws in set	Black

Connecting element



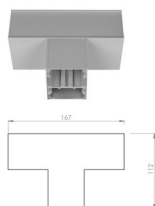
Sigma/Velo/VIP/VIP G/K Invisible linear joint Set (2 pcs)
Pieces in set: 2

PX0922227 FJ002.00.0000		Grey
----------------------------	--	------



Sigma II 90° joint

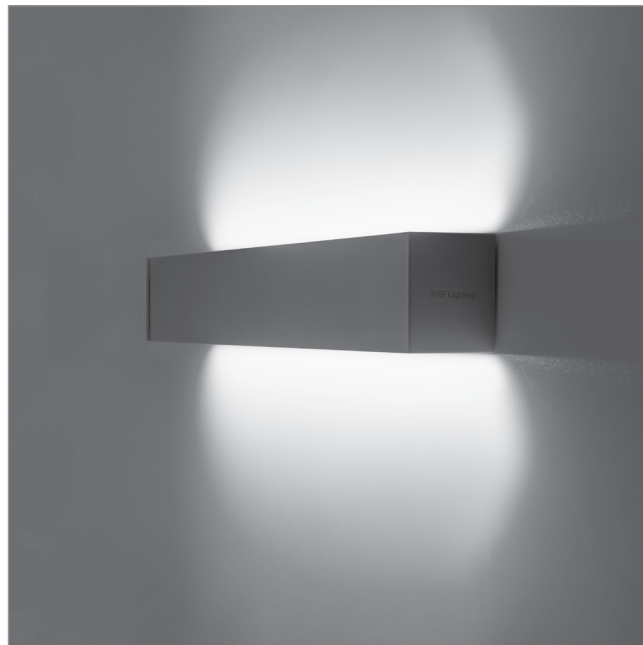
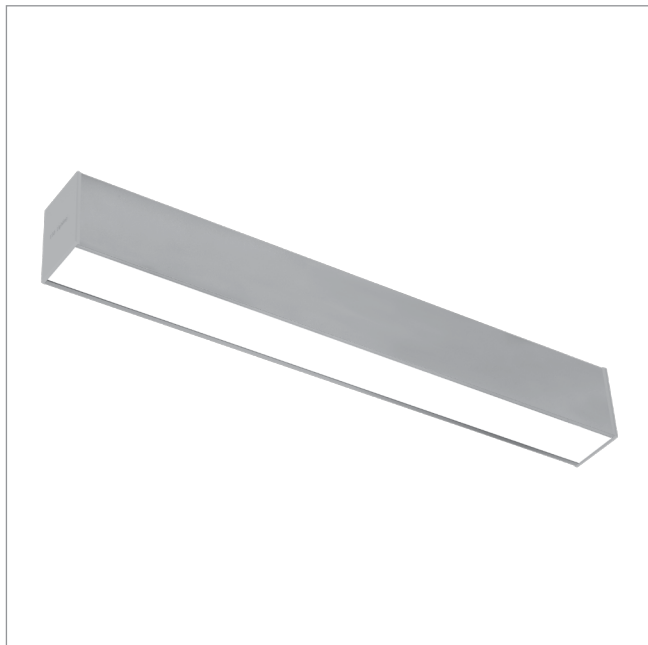
PX4040349 FJ010.22.0000	1x	Grey
----------------------------	----	------



Sigma II T joint

PX4040357 FJ011.22.0000	1x	Grey
----------------------------	----	------

SIGMA II BRACKET DI-IN LED



MOUNTING BRACKETS

