



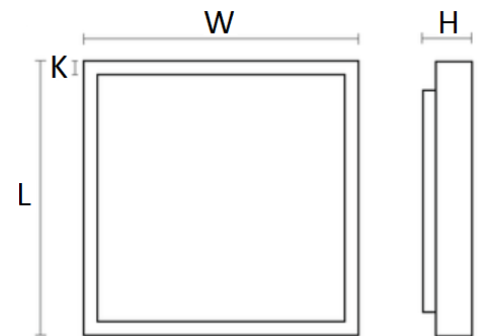
Installation manual
Finestra LED
Finestra Q LED
Finestra LED IP44
Finestra Q LED IP44



220-240V/50-60Hz

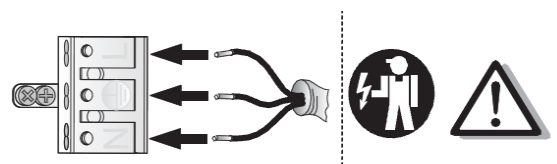
1. Dimensions and weight

Power	L	W	H	K	Weight
10W	307	307	65	44	2kg
19W	307	307	65	25	2kg
10W INOX / 19W INOX	337	337	65	40 / 40	2,1kg
19W	407	407	65	54	3,8kg
19W INOX / 29W INOX	437	437	65	68 / 40	3,8kg
29W/32W	407	407	65	25	2,9kg
31W Square	407	407	45	25	3,0kg
38W	595	295	65	25	3,2kg
39W/67W	595	595	65	25	5,8kg
44W/71W	1195	295	65	25	6,2kg
Q 18W	307	307	65	25	1.6 kg
Q 23W	407	407	65	25	2,0kg
Q 28W / Q 36W	295	595	65	25	2.5 kg
Q IP44 23W	407	407	65	25	2,8kg
Q IP44 18W	307	307	65	25	2.3 kg
Q IP44 28W Q / IP44 36W	295	595	65	25	3.5 kg
IP44 10W	307	307	65	25	3kg
IP44 19W	307	307	65	44	2kg
IP44 19W	407	407	65	25	3,8kg
IP44 29W/32W	407	407	65	25	3,4kg
IP44 38W	595	295	65	25	3,6kg
IP44 39W/67W	595	595	65	25	6,5kg
IP44 44W/71W	1195	295	65	25	7,0kg

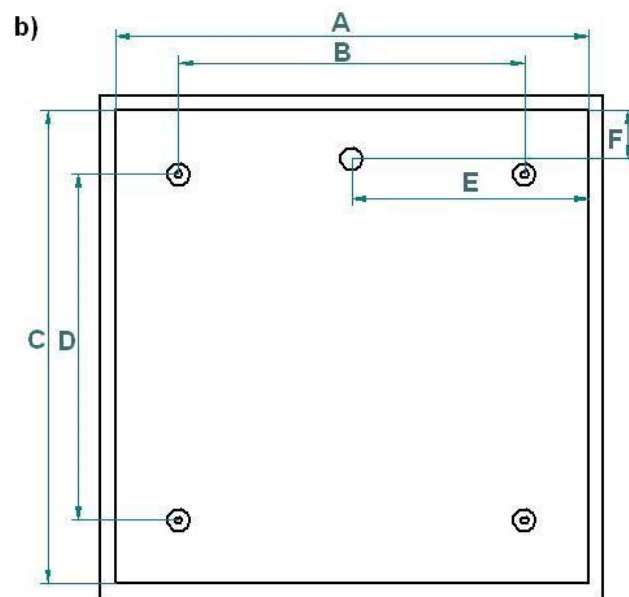
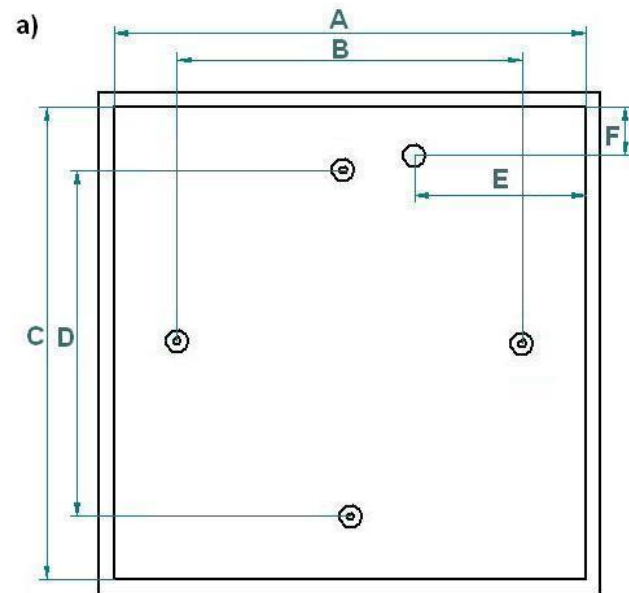


2. Installation

- take the luminaire out of the package and put it on a sturdy surface (a table or floor)
- loosen the screws (doesn't apply to INOX and GK version) and take the cover off, take the frame off
- place expansion bolts accordingly to the holes pattern in the base of the luminaire (wall/ceiling installation)
- screw in 4 wire regulators in the surface installation holes (suspended installation)
- power supply connection
 - put a power supply cable through the hole in a base of the frame
 - connect the cables accordingly to the markings on the connection terminal
- wall, ceiling and pendant installation
 - luminaire is fixed to the ceiling or a wall using 4 holes of 6,5mm diameter, the sticker on the side of the base determines the direction of the suspension (INOX – wall mounted)



Power	A	B	C	D	E	F
10W 337x337 INOX rys. b	276	225	276	225	114	20
IP44 10W 307x307 rys. b	303	250	303	250	126	26
19W 307x307 rys. b	290	230	290	230	145	18
IP44 19W 307x307 rys. b	305	230	305	230	152	25
19W 437x437 INOX rys. a	376	297	376	297	142	22
IP44 19W rys. a	403	297	403	297	154	34
29W/32W/23W rys. b	390	250	390	250	80	64
29W 437x437 INOX rys. b	390	342	395	342	195	22
38W rys. b	578	275	278	151	80	64
31W rys. b	390	170	390	170	155	110
39W/67W rys. b	578	450	578	350	80	64
44W/71W rys. b	1178	875	278	151	80	64
IP44 29W/32W rys. b	385	250	383	250	80	64
IP44 38W rys. b	573	275	271	151	80	64
IP44 39W/67W rys. b	571	450	573	350	80	64
IP44 44W/71W rys. b	1171	875	273	151	80	64
Q 23W rys. b	389	250	389	250	270	80
Q IP44 23W rys. b	397	250	397	250	276	84
Q 18 W rys. b	290	230	290	230	146	18
Q 18 W IP44 rys. b	302	230	300	230	150	25
Q 28 W/ 36 W rys. b	278	151	578	275	211	80
Q 28 W/ 36 W IP 44 rys. b	290	151	588	275	220	86



- suspended installation

Screw in wire regulators, fix the suspension to the ceiling, loosen the nut of the regulator, slide in the wire until the luminaire is at the required height and tighten the nut back.

Sliding the wire deeper will cause the luminaire to be mounted higher. In order to lower it – loosen the nut and push it towards the luminaire – the wire will start to slide out.

g) put the cover back (INOX) or screw it back into place

3. Important warnings:

- the manufacturer cannot be considered liable for any damages deriving from improper, wrong and unreasonable use of the fitting.
- luminaires may be installed by qualified personnel only.
- any manipulation inside the luminaire when power supply is on causes the risk of electric shock.
- manufacturer is not responsible for any flaws caused by avoid using this manual.
- manufacturer reserves a right to change the construction of the product.

Light source used in this luminaire should be changed by the producer or its service representative or similarly qualified person. Installation kit supplied with the luminaire does not include anchors for ceiling installation.



The European Directive 2002/96/EC on waste electrical and electronic equipment, requires that electric and electronic devices must be disposed of in the normal household waste. The crossed out wheeled bin is reproduced in order to remember obligations towards separately collection. For correct disposal, please use authorized waste disposal facilities or returned to the distributor at the date a new lighting fitting is purchased. Lamps, if disposed together with the lighting fitting, shall not be broken up since they contain substances which are highly polluting for the environment. Unauthorized disposal of the foregoing waste material is punishable by law.

